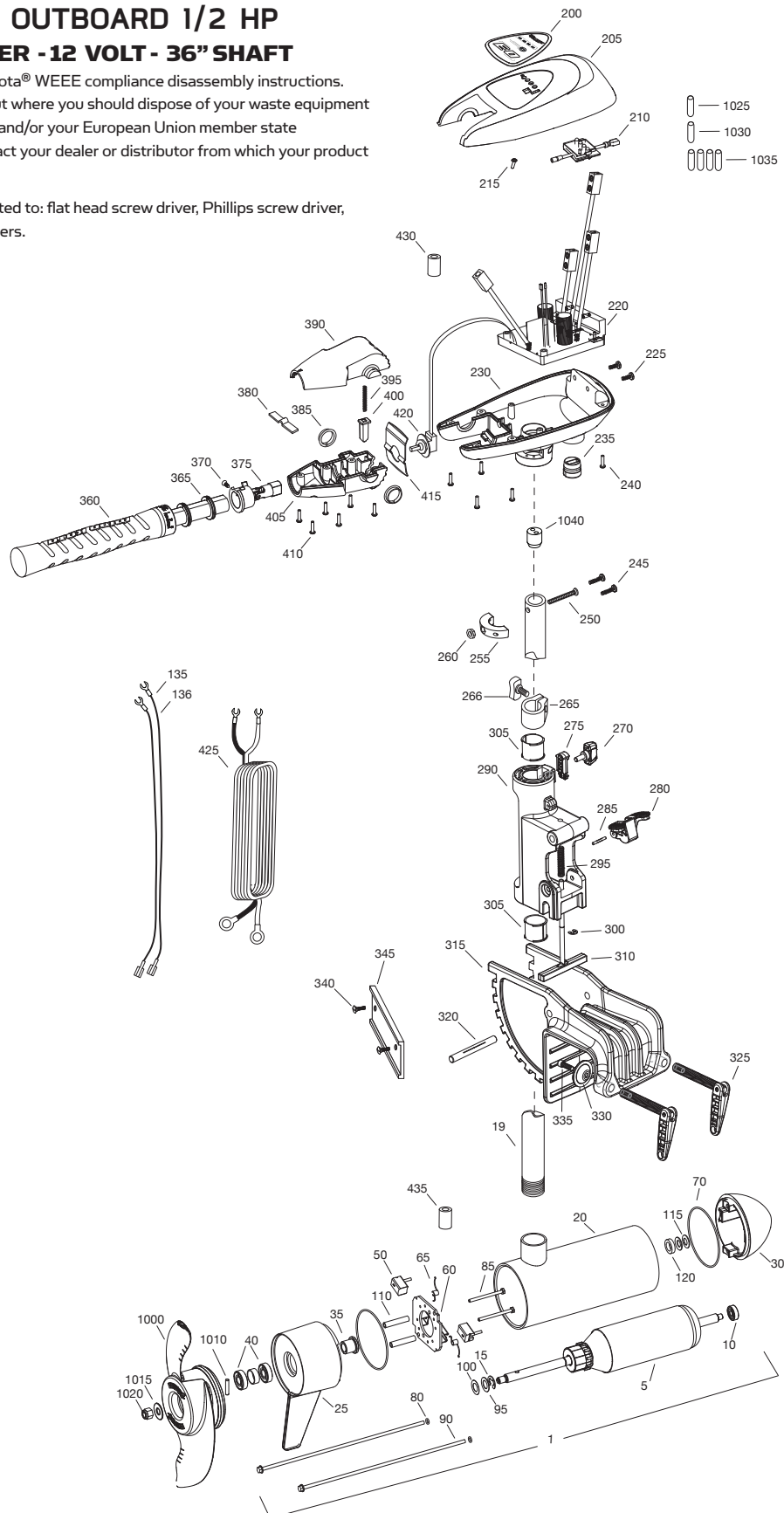


PARTS DIAGRAM

EO ELECTRIC OUTBOARD 1/2 HP 1/2 HORSEPOWER - 12 VOLT - 36" SHAFT

This page provides Minn Kota® WEEE compliance disassembly instructions. For more information about where you should dispose of your waste equipment for recycling and recovery and/or your European Union member state requirements, please contact your dealer or distributor from which your product was purchased.

Tools required, but not limited to: flat head screw driver, Phillips screw driver, socket set, pliers, wire cutters.



PARTS LIST

EO ELECTRIC OUTBOARD 1 HP 1 HORSEPOWER THRUST - 24 VOLT - 36" SHAFT

ITEM	QTY	PART NUMBER	DESCRIPTION
1	1	2317095	MOTOR ASSEMBLY 24V 4.5" SW 1 HP
5	1	2-100-250	ARMATURE ASSEMBLY
10	1	140-014	BEARING
15	1	788-040	RETAINING RING
19	1	2002011	TUBE COMPOSITE 36"
20	1	2-200-340	CENTER HOUSING ASSEMBLY
21	1	582-016	RETAINING CLIP
25	1	2-300-151	BRUSH END HOUSING ASSEMBLY
30	1	421-241	PLAIN END HOUSING ASSEMBLY STD
35	1	144-017	FLANGE BEARING (SERVICE ONLY)
40	2	880-025	SEAL
41	1	725-095	PAPER TUBE - SEAL BORE
50	2	188-095	BRUSH
60	1	92-600-250	BRUSH PLATE ASSEMBLY
65	2	975-045	BRUSH SPRING
■	1	2881450	SEAL AND O-RING KIT [40, 70-80]
70	1	701-098	O-RING, PLAIN END
71	1	701-046	O-RING, BRUSH END
80	2	701-009	O-RING, THRU-BOLT
85	2	2053410	SCREW, #8-32 X 1/2
90	2	830-094	THRU-BOLT #12-24 X 10.31
95	1	990-051	WASHER, STEEL
100	2	990-052	WASHER, NYLATRON
110	1	2777312	FERRITE BEAD W/ SHRINK
115	1	990-011	WASHER, SHIM
120	2	992-011	WASHER, BELLEVILLE
135	1	640-050	LEADWIRE, BLACK 10AWG 51-1/2
136	1	640-150	LEADWIRE, RED 10WG 50-1/8"
200	1	2095687	DECAL, C-BOX COVER
205	1	2090201	C-BOX COVER
210	1	2074081	BATTERY METER, 24V SW
215	2	2043427	SCREW, #8 X 7/8 SS
220	1	2884112	CONTROL BOARD, 1HP 24V KIT
■	1	2888400	POTENTIOMETER REPLACEMENT KIT
225	2	2303434	SCREW, #8-32 X 5/8 SS
230	1	2092503	CONTROL BOX, VARS, SW
235	1	2062905	STRAIN RELIEF
240	6	2303412	SCREW, #6-20 X 5/8 SS
245	2	2263434	SCREW, #8-18 X 1
250	1	2383406	SCREW, #10-24 X 2" PPH SS
255	1	2061517	COLLAR, C-BOX
260	1	2333101	NUT, #10-24, NYLOCK, SS
265	1	2031520	COLLAR-DEPTH (W/O INSERT)
266	1	2011366	SCREW-COLLAR/NEW KNOB (SS)

ITEM	QTY	PART NUMBER	DESCRIPTION
■	1	2991714	BRACKET ASSY, ALUMINUM [270-335]
270	1	2011366	KNOB, SCREW-COLLAR, SS
275	1	2062801	TENSION BLOCK
280	1	2077202	LEVER-TILT, TRANSOM BRACKET
285	1	2070512	PIN-HINGE, 1/8 X 1
290	1	2071863	HINGE-SW
295	1	2332700	SPRING-(T-BAR), SS
300	1	2333001	E-RING, SS
305	2	2037301	BUSHING, HINGE
310	1	2073604	T-BAR, (E-COAT)
315	1	2071947	BRACKET, DIE CAST SW
320	1	2070514	PIN-HINGE, 3/8 X 3.5, SS
325	2	2991303	CLAMP SCREW, HANDLE ASSY.
330	2	2331700	WASHER-CLAMP SCREW, SS
335	2	2263452	SCREW, 1/4-20 X 3/4 SHCS, SS
■	1	2994844	BAG ASSEMBLY, TRANSOM EXTRUSION
340	2	2053421	SCREW 1/4-14 X 1 PFH, SS
345	1	2058415	TRANSOM EXTRUSION
■	1	2990957	HANDLE ASSY, VARS [360-410]
360	1	2990456	GRIP/HANDLE ASSY, VARS [360-375]
365	2	2060015	BEARING, HANDLE
370	2	2063405	SCREW, #6 X 1/2 PFH SS
375	1	2884092	YOKE / SPIDER ASSY, VARS
380	1	2302742	SPRING, DETENT, OFF
385	2	2060005	BEARING, HANDLE PIVOT
390	1	2060900	HANDLE PIVOT, TOP
395	1	2302745	SPRING, RELEASE BUTTON
400	1	2063700	BUTTON, RELEASE
405	1	2060905	HANDLE PIVOT, BOTTOM
410	6	2303412	SCREW, #6-20 X 5/8 SS
415	1	2062715	SPRING, HANDLE PIVOT
420	1	2061700	WASHER, POT HOLDER
425	1	2881402	LEADWIRE ASSY, INCLUDES [235]
430	1	2307316	FERRITE BEAD
■	1	1378160	PROPELLER KIT WW2 [1000-1020]
1000	1	2341160	PROPELLER WW2
1010	1	2262658	DRIVE PIN, LARGE
1015	1	2091701	WASHER, PROP, LARGE
1020	1	2198401	NUT, NYLOCK, PROP, ANODE
1025	1	2305415	SHRINK TUBE
1030	1	2305410	SHRINK TUBE
1035	4	2095400	SHRINK TUBE
1040	1	2096700	PLUG WIRE

■ THIS ITEM IS PART OF AN ASSEMBLY.
*THIS ITEM IS PART OF A KIT AND ONLY LISTED FOR VIEWING PURPOSES.